

PALLET FORK

OWNER'S MANUAL



B BUILT
MFG

Read and Understand the manual. This manual provides information and procedures to safely operate and maintain the equipment.



General Information



WARNING



Read And Understand Manual

To prevent personal injury or even death, be sure you read and understand all of the instructions in this manual and other related OEM equipment manuals! The pallet forks, if not used and maintained properly, can be dangerous to users unfamiliar with their operation. Do not allow operating, maintaining, adjusting, or cleaning of the pallet forks until the user has read this manual and has developed a thorough understanding of the safety precautions and functions of the unit.

The pallet forks are designed for the specific purpose of moving and stacking material. **DO NOT** modify or use the pallet forks for any application other than that for which they are designed. When this unit is no longer capable of performing its designed purpose, it should be dismantled and scrapped. Do not use any materials or components from this unit for any other purpose.

WARNING

READ THE MANUAL

Avoid serious injury or death

Read, understand, and follow all OEM skid steer machine operating instructions and work tool operating and safety instructions prior to use.

Download the appropriate App on your smart phone and scan this QR (Quick Reference) code to review the safety signs and operating instructions for this work tool.

BB-PF-0001

Welcome

Congratulations on your choice of B-Built Manufacturing Pallet Forks. By following these operating instructions, your B-Built Manufacturing Pallet Forks will provide many years of trouble-free service.

Safe Operation

Safe, efficient, and trouble-free operation of your Pallet Forks requires that you, and anyone else who will be using or maintaining the unit, read and understand the information contained within the Owner's Manual.

Intended Usage

The pallet forks are intended for moving and stacking material. Do not use the pallet forks for any purpose other than their intended use.

Product Improvements

Because B-Built Manufacturing maintains an ongoing program of product improvement, we reserve the right to make improvements in design or changes in specifications without incurring any obligation to install them on units previously sold.

Unanswered Questions

If you have any questions not answered in this manual or require additional copies or the manual is damaged, please contact your dealer or:

B-Built Manufacturing
 1550 Fairgrounds Road
 Jefferson City, MO 65109
 Phone: (573) 619-1973

Specifications

Overall Width	47-3/4"
Overall Length	59-1/2"
Overall Height	37"
Weight	470 lbs.
Fork Length	42" or 48"
Fork Width	4"
Lift Capacity	5000 lbs.
Shipping Weight	500 lbs.

Continuous Improvements

The information, specifications, and illustrations in this manual are based on the information that was available at the time this material was written and can change at any time without notice.

Safety Instructions

Safety Alert Symbol



This is the safety alert symbol. It is used to alert you to potential personal injury hazards. Obey all safety messages that follow this symbol to avoid possible injury or death.

Signal Words

Hazards are identified by the “Safety Alert Symbol” and a signal word such as “WARNING”, or “CAUTION”.

To prevent the possibility of personal injury or death, comply with all instructions that follow one of these signal words.

WARNING

Indicates a potentially hazardous situation which, if not avoided, could result in death or serious injury.

CAUTION

Indicates a potentially hazardous situation which, if not avoided, may result in minor or moderate injury.

Note: Contains additional information important to a procedure.

General Safety Instructions

WARNING



Provide User with Literature

B-Built Manufacturing Pallet Fork owners must provide operator instructions to anyone using this attachment before use, and at least annually thereafter. Do not assemble, operate, or maintain the attachment until you read and understand the information contained in this manual and the loader’s OEM manual.



Stay Clear

Clear the area of people, especially small children, before using this attachment.

Under no circumstances should young children be allowed to work with or around the bale spike.



Crush Hazard

The loader must be equipped with a Roll Over Protective Structure (ROPS) and a seat belt. A crushing hazard can occur if the operator is ejected from the seat while the skid steer is in motion. Fasten the seat belt whenever the skid steer is moving. Operate the skid steer from the operator’s seat only.

WARNING

(continued)



Impaired User Hazard

Do not attempt to assemble, operate, or maintain this attachment under the influence of drugs or alcohol. Consult your doctor before using this attachment while taking prescription medications.



Crush Hazard

Do not allow anyone to ride on the skid steer or the attachment. Falling or crushing hazards can result in severe injuries or death.

Do not use the pallet fork as a work platform. Do not stand or climb on the pallet fork.

CAUTION



Personal Protection Equipment

When using this attachment, wear appropriate personal protective equipment. This list may include, but is not limited to:

- Protective shoes with slip resistant soles
- Eye protection
- Protective clothing and gloves
- Hearing protection

Safety Signs and Instructional Labels

WARNING



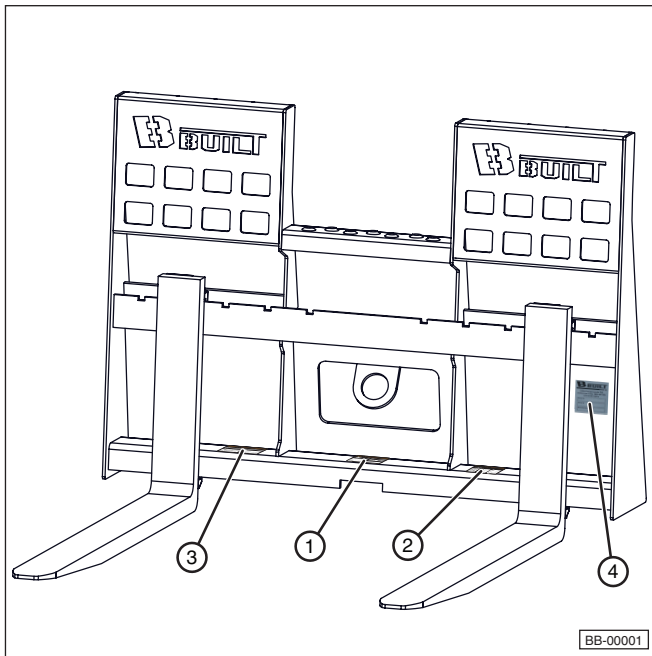
Damaged Safety Signs

Pay close attention to the safety signs and instructional labels attached to the skid steer and to this attachment. If this attachment is missing a label or one is unreadable, replace the label before using the attachment.

Keep safety signs or instructional labels clean and legible at all times. Use a clean, damp cloth to clean safety decals.

1. Use care when washing or cleaning the equipment not to remove or damage the labels.
2. Replacement parts must have replacement labels attached during installation and/or before the bale spike is used.
3. Labels are available from your authorized dealer or from B-Built Manufacturing at no charge.

Safety Sign Locations



Safety Signs and Instructional Decals			
Item	Type	Description	Qty.
1	WARNING	Read the Manual	1
2	CAUTION	Maximum Capacity	1
3	WARNING	Personal Injury Hazard	1
4	INSTRUCTIONAL	Serial No.	1

2. **WARNING**

READ THE MANUAL	FALLING OBJECT HAZARD
Avoid serious injury or death Read, understand, and follow all OEM skid steer machine operating instructions and work tool operating and safety instructions prior to use.	
Download the appropriate App on your smart phone and scan this QR (Quick Reference) code to review the safety signs and operating instructions for this work tool.	To prevent serious injury or death: Prior to use, make sure the work tool is properly and securely attached to the skid steer machine per OEM instructions.

BB-PF-0012

3. **WARNING**

PERSONAL INJURY HAZARD
To prevent equipment damage, serious injury, or death:

Use only for the intended purpose of moving bulky, bagged, or palletized material.	Do not lift or carry persons.
Prior to use, clear the area of people, especially small children.	Do not stand or work under a raised load.

BB-PF-0033a



1. **CAUTION**

DO NOT EXCEED MAXIMUM RATED LIFTING CAPACITY. 5000 lbs.

WARNING

FALLING OBJECT HAZARD

Keep loads level and close to ground.	Center-of-gravity of load must not exceed end of forks.
Keep loads equally balanced side-to-side, on both forks.	Do not lift round objects.
Do not lift unstable or unsecured loads.	Do not push or pull objects with forks.

BB-PF-0031

Attachment

This attachment is designed to be mounted on a universal quick-attach coupler on a skid steer loader.

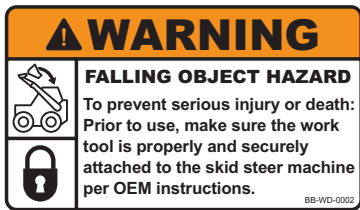
Refer to the skid steer Operator's Manual for the attachment/detachment procedure specific to the machine being used. Follow the procedure given in the manual.

WARNING



Crush Hazard

Always verify that the locking pins on the skid steer coupler are fully engaged down through the holes in the attachment plate before using the attachment. The attachment could fall off if it is not locked on the coupler and cause serious injury or death.



Loader Requirements and Capabilities

- Adequate Lift Capacity
- Universal Quick-Attach System

The required size of the skid steer used will be determined by the size and weight of the material being lifted. Always use a skid steer large enough to safely handle the load.

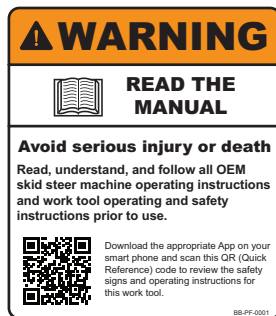
Operation

Safety



Train Unfamiliar Users

It is the owner's responsibility to make sure any person using this attachment, especially if it is loaned or rented, has read this manual and all related OEM manuals, and has been thoroughly trained on its proper and safe use.



Electrical Contact Hazard

Be aware of lift clearance and low electrical wires when the load is raised. Serious injury or death can result if contact is made with an electrical power source.



Crush Hazard

Never leave the skid steer unattended while a load is raised. Accidental operation of the control lever or a hydraulic failure may cause a sudden drop of the load, resulting in injury or death by crushing.



Maximum Weight Hazard

Do not exceed the maximum recommended weight listed for the pallet fork. Serious injury or death could result.



Personal Safety

SAFETY INSTRUCTIONS

- Do not lift or carry anyone on the forks.
- Do not use the pallet forks for a work platform.
- Always lower the forks to the ground when the attachment is not in use. Raised forks could cause injury.
- Do not alter the forks by drilling or cutting.

Operational Safety

SAFETY INSTRUCTIONS







- Do not lift loads that exceed the weight limitations of the attachment or skid steer. A heavy load can cause instability of the vehicle.
- The load rating is based on fully inserted forks into the load and the weight evenly distributed between the two forks. Fork length should be at least two-thirds of load length.
- Use extreme caution when moving loads up or down slopes or on uneven surfaces. A load will make the front end of the skid steer heavy and it could overturn.
- Move any load slowly and as low as possible to the ground. Keep the lifting load level at all times.
- NEVER lift a load at the ends of the forks.
- Round items such as logs or hay bales can slide sideways, putting all the weight on one fork which can bend the fork.
- Never lift a load with one fork.
- Do not use the forks for pushing, pulling, prying, or any purpose other than lifting.

Operating Guidelines

1. Make sure all operators have read the Owner's Manual and are familiar with the instructions and the safety rules of operation.
2. Adjust the spacing of the forks as wide as possible to increase load stability.
3. Before lifting make sure the forks are completely under the load and level. The fork length should be at least two-thirds of the load length.
4. Keep the weight of the load centered between the forks. If a load is heavy on one side, place the heaviest side closest to the skid steer.

⚠ WARNING	
PERSONAL INJURY HAZARD	
To prevent equipment damage, serious injury, or death:	
	Use only for the intended purpose of moving bulky, bagged, or palletized material.
	Prior to use, clear the area of people, especially small children.
	Do not lift or carry persons.
	Do not stand or work under a raised load.

5. Raise the forks to enter the pallet/load and keep the angle of the forks parallel with the ground.
6. Always keep the load or pallet as close to the skid steer as possible.
7. Make sure the weight of the load is centered between the forks.
8. Lift the load slightly to make sure it is stable. If the load appears unstable, lower and reposition the forks. Lift slowly and smoothly.
9. Raise the load to the minimum height required for the terrain.
10. Before moving a load, check all directions for pedestrians or other obstacles.

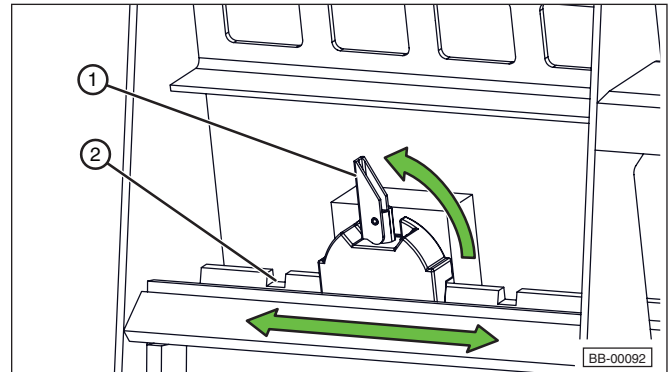
⚠ WARNING	
FALLING OBJECT HAZARD	
	Keep loads level and close to ground.
	Keep loads equally balanced side-to-side, on both forks.
	Do not lift unstable or unsecured loads.
	Center-of-gravity of load must not exceed end of forks.
	Do not lift round objects.
	Do not push or pull objects with forks.

11. When moving a load;
 - a. Keep the forks level.
 - b. Accelerate and brake gradually.
 - c. Slow down before turning and avoid any obstacles, bumps, or holes.
 - d. If possible, travel straight up or down on grades, ramps, or inclines, and avoid turning.
 - e. If the load is large and blocks your view, travel in reverse.
12. If the load starts to lean or move, lower it to the ground and reposition the forks.
13. Lower the load gently until the weight of the load is securely resting on the ground and the forks are free to be removed from the load.

Adjusting Fork Spacing

The fork spacing is adjustable from 8" to 47", in 4" steps. To adjust the spacing:

1. Raise latch lever (1), and manually slide the fork to the desired position.



2. Lower the lever and make sure the pin drops into locating notch (2).

Note: Each fork weighs approximately 100 lbs.

Side Loads

The forks are not designed for side loads. Do not move objects by pushing with the side of the forks. This will damage the unit and void the warranty.

Transporting

⚠ WARNING

To prevent possible injury or death, **DO NOT** travel or use attachment on public roads. Transport the skid steer and/or attachment only on a suitable trailer. Follow all local, state, and federal regulations when towing on public roads.

Storage

Inspect the attachment for loose, damaged, or worn parts. Replace items as needed.

⚠ CAUTION



Personal Injury Hazard
Store this attachment in a clean, dry area away from human activity. To prevent the possibility of serious injury, do not permit children to play on or around the stored attachment.



Always set the pallet forks at ground level for storage.

Maintenance

CAUTION



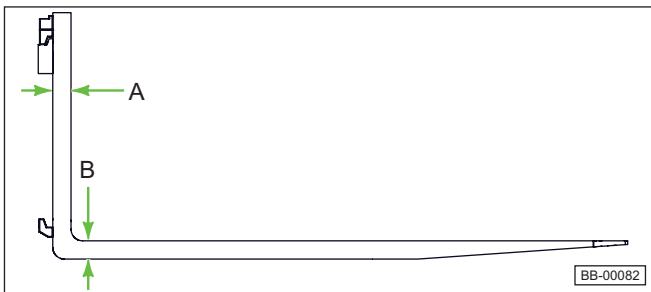
No Unauthorized Modifications
Do not modify this attachment or its safety devices. Do not weld on this attachment. Unauthorized modifications may impair its function and safe operation. Personal injury or death can result from unauthorized modifications.

If this attachment has been altered in any way from the original design, the manufacturer does not accept any liability for injury or warranty.



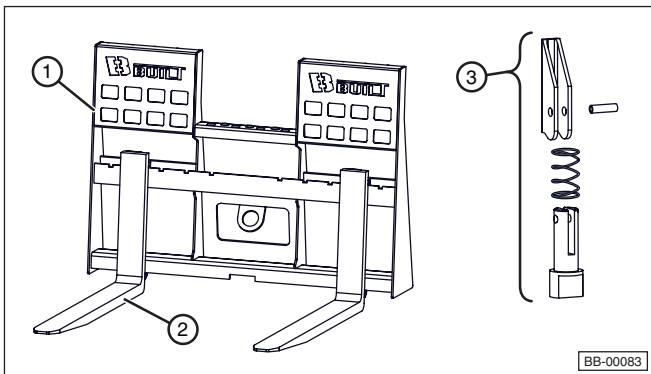
Damaged Parts Hazard
Do not use this attachment if any parts are damaged. If this attachment has a defect, immediately stop using it and remedy the problem before continuing.

The forks will wear from use. Replace the forks when dimension 'B' is less than 90 % of dimension 'A'



Parts

Replacement parts are available from your authorized Dealer Parts Department or from B-Built Manufacturing.



Item	Part Number	Description	Qty.
1	PF-CF	Complete Frame	1
2	PF-425000 PF-485000	42" Fork 48" Fork	2
3	PF-LK	Latch Kit	2
4	PF-DS	Decal Set (not shown)	1

Warranty

B-Built Manufacturing (the "Manufacturer") warrants, only to the original Purchaser, this equipment will be free from defects in material and workmanship, under normal use and service, for one (1) year from the date of purchase providing this equipment is purchased for individual use only. Equipment in commercial use is warranted for six (6) months. This warranty does not apply to any equipment which has been damaged or which has been subjected to change, misuse, negligence, abnormal wear and tear, alterations, tampering, or failure to follow operating instructions. This warranty does not apply to any ground-engaging component, hydraulic hose, or cutting blade.

Under this warranty, the Manufacturer will repair or replace any part which the Manufacturer determines has failed during the period of the warranty due to defects in material or workmanship. After written approval by the manufacturer, the equipment or defective part must be returned to B-Built Manufacturing.

B-Built Manufacturing reserves the right to make improvements and changes in specifications without notice or obligation to modify previously sold units.

PURCHASER'S EXCLUSIVE REMEDY FOR BREACH OF WARRANTY, OTHER DEFECT, OR CONDUCT GIVING RISE TO LIABILITY SHALL BE THE REPAIR OR REPLACEMENT OF THE PRODUCT SOLD, AND THE MANUFACTURER UNDER NO CIRCUMSTANCES SHALL BE LIABLE FOR ECONOMIC LOSS OR INCIDENTAL OR CONSEQUENTIAL DAMAGES. THE MANUFACTURER DISCLAIMS ALL IMPLIED WARRANTIES, INCLUDING THE WARRANTY OF MERCHANTABILITY AND FITNESS FOR PURPOSE.

This warranty gives you specific legal rights, and you may have other rights which vary from state-to-state.



B-BUILT MFG.
1550 FAIRGROUNDS ROAD
JEFFERSON CITY, MO 65109
PH: 573-619-1973

PLEASE VIEW OUR FULL LINE OF B-BUILT EQUIPMENT AT:
WWW.BBUILTMFG.COM

Place Dealer Info Here

